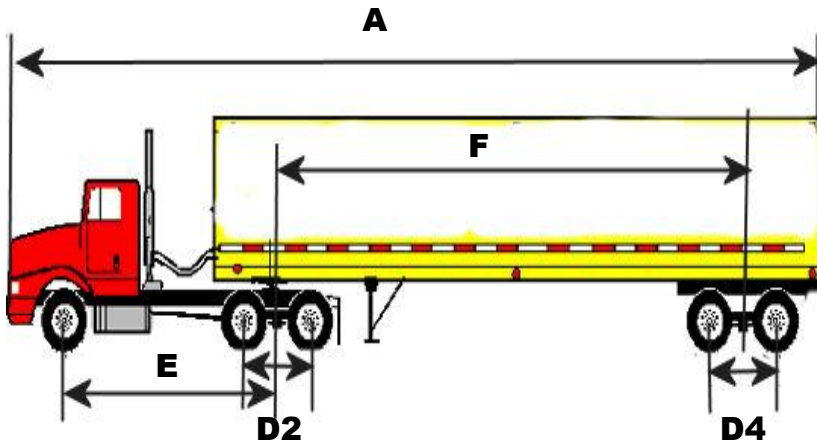


Company name (as shown on your NIR) _____
 Unit number _____

QUEBEC MEASUREMENT REGULATIONS

In Quebec, there are a few regulations concerning truck and trailer dimensions. Please take a few minutes to verify every equipment combination that will enter in Quebec. If it does not respect these regulations, please give us a call to verify if a special permit or permission is available. Otherwise you could be fined, impounded or the Quebec highway patrol could ask you to turn around and return to United States immediately.



- A. **Overall length:** From the tractor bumper to trailer bumper
- F. **Trailer Wheelbase:** The measure between the kingpin and the centre of the single axle, tandem axle or triple axle of the semi-trailer
- E. **Tractor Wheelbase:** distance measured between the middle of the steering axle and the midpoint of the vehicle's drive axle group
- D. **Axle spacing :** from the middle to the middle of each axle

- 1- Is your Overall length (A) over 75'5"? Yes _____ No _____
- 2- Is your axle spacing on your tractor (D2) in the 47" to 73" range? Yes _____ No _____
- 3- Is your axle spacing on your trailer (D4) in the 47" to 73" range? Yes _____ No _____
- 4- Is your tractor wheel base (E) over 244" (Regardless of the manufacturing date)? Yes _____ No _____
- 5- Does your trailer wheelbase (F) and tractor wheelbase (E) comply with the chart below? Yes _____ No _____

Tractor and trailer wheelbase correlation		
Tractor WB	Semi-Trailer WB	Operation
Any length	≥ 41	verify with Permax
≤ 244	≤ 41	authorize
248	≤ 40.11	need permit
252	≤ 40.8	need permit
256	≤ 40.5	need permit
260	≤ 40.3	need permit
264	≤ 40	need permit
268	≤ 39.10	need permit
272	≤ 39.7	need permit
276	≤ 39.4	need permit
280	≤ 39.2	need permit
283	≤ 38.11	need permit
≥ 283	Any length	verify with Permax

Please contact us immediately if you:
Answered yes to question 1 or 4
OR
Answered no to question 2,3 or 5



514-733-2121
 800-276-1945
 514-733-5002
 permis@permax.ca