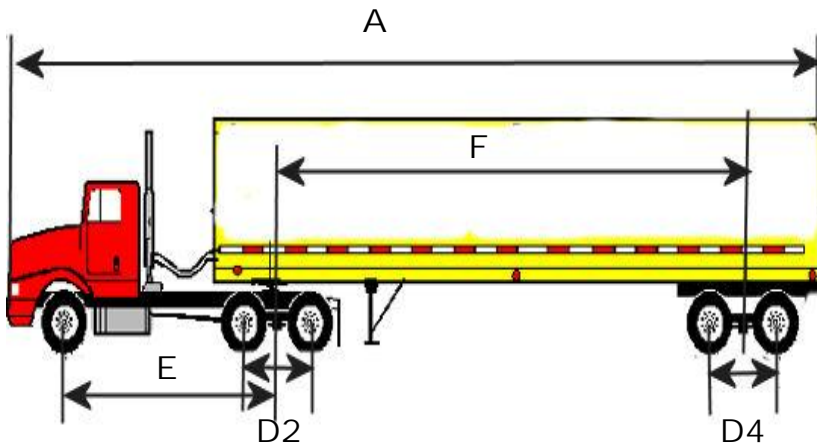


Company name (as shown on your CVOR) \_\_\_\_\_  
 Unit number \_\_\_\_\_

## ONTARIO MEASUREMENT REGULATIONS

In Ontario, there are a few regulations concerning truck and trailer dimensions. Please take a few minutes to verify every equipment combination that will come into Ontario. If it does not respect these regulations, you are not legal for Ontario.



- A. **Overall length:** From the tractor bumper to trailer bumper
- F. **Trailer Wheelbase:** The measure between the kingpin and the centre of the single axle, tandem axle or triple axle of the semi-trailer
- E. **Tractor Wheelbase:** distance measured between the middle of the steering axle and the midpoint of the vehicle's drive axle group
- D. **Axle spacing :**from the middle to the middle of each axle

- |                                                                                     |           |          |
|-------------------------------------------------------------------------------------|-----------|----------|
| 1- Is your Overall length (A) over 75'5"?                                           | Yes _____ | No _____ |
| 2- Is your axle spacing on your tractor (D2) in the 47" to 73" range?               | Yes _____ | No _____ |
| 3- Is your axle spacing on your trailer (D4) in the 47" to 73" range?               | Yes _____ | No _____ |
| 4- Is your tractor wheel base (E) over 244" (Regardless of the manufacturing date)? | Yes _____ | No _____ |

**! You are not legal for Ontario if you:**  
**! Answered yes to question 1 or 4**  
**OR**  
**! Answered no to question 2 or 5**



514-733-2121  
 800-276-1945  
 514-733-5002  
 permis@permax.ca