

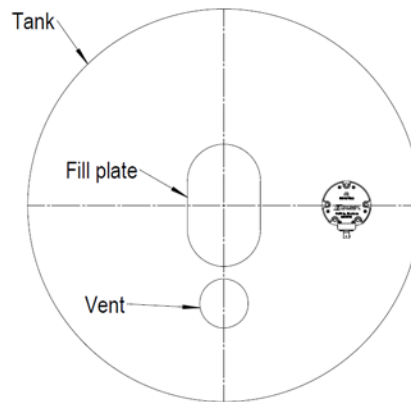
One Daytona Blvd.
Daytona Beach, FL
32114
P: +1 (386) 310-6500

IMSA TECHNICAL BULLETIN IWSC #18-41

To: All IMSA WeatherTech SportsCar Championship Competitors
From: IMSA Competition
Date: 14 August 2018
Re: IMSA WeatherTech VIR Autonomous Supply Tank Inspection

Autonomous Supply Tank Inspections will be conducted on setup day at VIR. All IWSC Competitors must have the Autonomous Supply Tank readily accessible on Pit Lane and with the fill plate removed no later than 10 AM on Thursday August 16th.

The fill plate is indicated in the diagram below.



IMSA Officials will conduct an inspection of each Autonomous Supply Tank and will notify a team representative when the fill plate can be re-installed. Fill-plates will be sealed by an IMSA Official following re-installation.