

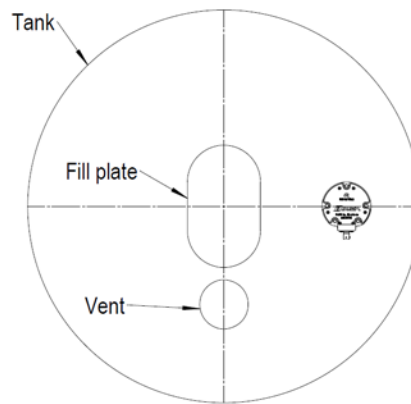
One Daytona Blvd.
Daytona Beach, FL
32114
P: +1 (386) 310-6500

IMSA TECHNICAL BULLETIN IWSC #18-50

To: All IMSA WeatherTech SportsCar Championship Competitors
From: IMSA Competition
Date: 5 October 2018
Re: IMSA WeatherTech Petit Le Mans Autonomous Supply Tank Inspection

Autonomous Supply Tank Inspections will be conducted on setup day at Road Atlanta. All Competitors who did not participate at the recent VIR and WeatherTech Raceway Laguna Seca race events must have the Autonomous Supply Tank readily accessible on Pit Lane and with the fill plate removed no later than 3 PM on Wednesday, October 10th. The tank must be completely empty of fuel.

The fill plate is indicated in the diagram below.



IMSA Officials will conduct an inspection of each Autonomous Supply Tank and will notify a team representative when the fill plate can be re-installed. Fill-plates will be sealed by an IMSA Official following re-installation.

Prototype Competitors requiring inspection: 38

GTLM Competitors requiring inspection: 62

GTD Competitors requiring inspection: 29, 71